

MASSAGE CHAIR
operation instructions



SAVE THESE INSTRUCTIONS

Thanks for purchasing this product. Please read this manual instruction carefully in order to know how to use this product correctly before operation. Please pay more attention to some important safety warning and keep this manual book properly for future use. Note: Our Company reserves the right to revise the design and description of this product without any further notice. Please refer to the actual color of this product.

CONTENTS

Safety and maintenance	02
Name and function of components	04
Function & Efficacy	05
Method of usage	06
Product specification	08

IMPORTANT SAFETY WARNING.

- Don't allow children to touch moveable part of this product.
- Please use well-grounding power supply suited to this product.
- Please pull out the plug after use or before cleaning to avoid injury or damage to the product.
- Please operate this product according to this manual instruction.
- Don't use accessories which are not recommended.
- Don't use this product outdoors.
- Please read this manual instruction carefully before operation.
- Any other usage that is not listed in this manual instruction is forbidden.
- 15 minutes of usage each time is recommended.
- Please don't use it if the leather is broken or damaged.
- Please don't use it if the cover or leather is damaged.
- Please don't use it if the radiator hole is covered or blocked.
- Please don't drop anything into this product.
- Please don't fall asleep while using this product.
- Please don't use it if drunk or feel unwell.
- Please don't use it within one hour after having meal.
- Please don't make the massage function too strong for avoiding injury.

2. Environment for usage.

- Please don't use it under high temperature and moist environment such as bathroom.
- Please don't use it immediately while the environmental temperature changes sharply.
- Please don't use it under heavy-dusty or caustic environment
- Please don't use it where there is not enough space or not good ventilation.

3. People who are not suitable to use this product.

- People who are suffering from osteoporosis are not suitable to use this product.
- People who are suffering from heart disease or carrying electronic medical equipment such as heart pacemaker are not suitable to use this product.
- People who are suffering from fever are not suitable to use this product.

Safety and maintenance

- Pregnant women or women that are in menses period are not suitable to use this product.
- People who got injured or skin disease are not suitable to use this product.
- Children under twelve or people who are not able to operate this product are not suitable to use this product.
- People who are told by doctor to have rest or people who feel unwell are not suitable to use this product.
- People whose bodies are wet are forbidden to use this product.

4. Safety.

- Check the voltage if it is suitable to the specification of this product.
- Don't use wet hand to pull the plug.
- Don't make water spatter to this product to avoid electric shock or cause damage to this product.
- Don't damage the wires or change the circuit of this product.
- Don't use wet cloth to clean the electric parts such as switch and plug.
- Be away from this product under power cut state to avoid injury if the power comeback suddenly.
- Stop using this product while it works abnormal, and please consult local agent immediately.
- Stop using this product if you feel unwell, and please consult health care doctor.

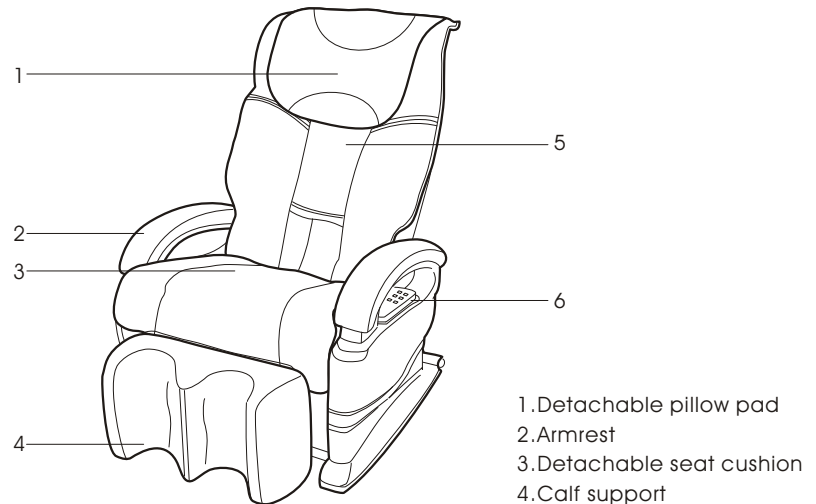
5. Maintenance.

- This product should be maintained by certain appointed agents, users are prohibited to disassemble or maintain by themselves.
- Please don't forget to cut the power after usage.
- Don't use this product if the socket looses.
- If this product will be left unused for long, please curl up the wires and reserve this product in dry and dustless environment.
- Don't reserve this product under high temperature or near fire and avoid long time direct sunshine.
- Please clean this product by dry cloth. Don't use thinner, benzene or alcohol.
- The mechanical components of this product are specially designed and made, it is not necessary to be specially maintained.
- Don't use edged res to thrust this product.
- Don't roll or pull this product above uneven ground, it should be lifted before moving.
- Please use it intermittently; don't make this product work continuously for long.

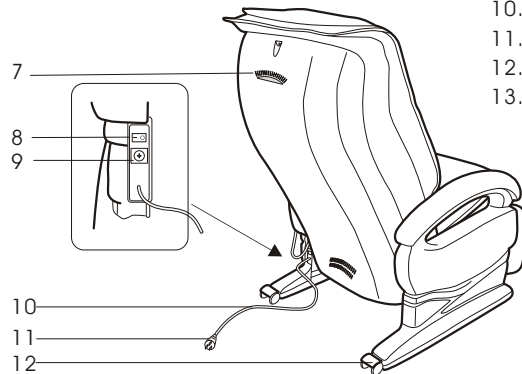
6. Solution of ordinary malfunctions.

- It is nature movement voice if the motor sounds while in usage.
- If the controller can't work normally, please check the plug and socket if they are connected strongly and make sure the switch is turned on.
- If the rated working time is over, the product will automatically activate the power-off button; if this product works continuously for long, the temperature protector will make the product automatically power-off, it should be used again after half an hour's rest.

Name and function of components



1. Detachable pillow pad
2. Armrest
3. Detachable seat cushion
4. Calf support
5. Detachable back cushion
6. Control
7. Ventilator
8. Power
9. Fuse box
10. Control
11. Wire
12. Caster
13. Plug



Function & Efficacy

Function

- Designed with a four-wheel driven muted massage mechanism which can move up and down in the backrest.
- Programmed with five emulational massage function of shiatsu, kneading, flapping, knocking, kneading and patting.
- Designed with two control modes for the upper body: automatic one and manual one.
- Under the manual state, there are three options of the overall, fixed and partial area. The massage hands can move up and down with five levels of speed under the fixed state. There are three width options for the massage hands under the state of shiatsu, patting and knocking.
- Equipped with three air bags in the seat cushion, eight airbags in the calf rest with four air pressure modes and two strengths.
- Programmed with knee joint stretch function.
- The calf rest can be power-lifted and reclined separately or together with the backrest.
- Five degrees of the shoulder height adjustment and can be recorded.
- Restoring the massage hands after turning off the machine.

Efficacy

- Dispel fatigue.
- Accelerate blood circulation.
- Alleviate muscle fatigue.
- Relax tense muscle.
- Alleviate nerve aches.
- Alleviate muscle aches.

Method of usage

1.The usage of the control

• TO START OR STOP OVERALL MASSAGE

POWER: To start or stop massage of the upper body. The button will not work when the massage device is at its position of recovery.

ADJUSTING SHOULDER FIRST: When you start the massage functions of the upper body, the massage device begins to move downward to suit the position of your shoulder. For specific body size, you can press the upward or downward button to adjust the massage hands slightly within a small range to suit you shoulder. Five positions available for the shoulder area with respective indicators turning on or off.

• AUTO

UPPER BODY: The massage device works with various techniques at different body zone of your upper body.

NECK SHOULDER : The massage device mainly automatically covers your neck or shoulder.

BACK WAIST: The massage device mainly automatically covers your back and waist.

• MANUAL MODE

KNEAD 、 FLAP、 KNEAD & FLAP 、 PRESS、 KNOCK、 kneading and flapping simultaneously

• ODY ZONES OF THE UPPER BODY

BACK STRETCHING: To select full-range, partial or fixed massage.

▲ When fixed massage has been chosen, press this button to move the Massage device upward to suit precise massage points.

▼ When fixed massage has been chosen, press this button to move the massage device downward to suit precise massage points.

• UPPER BODY

SPEED : For speed and massage treatments selection. Five speed options available. The indicators are as follows:(black stands for on)

Width: when massage treatment of flapping, shiatsu, or knocking has been chosen, press this button to adjust the width of the massage hands, three options.

• LOWER BODY AIRBAG

START: Press this button to start air massage of the lower body.

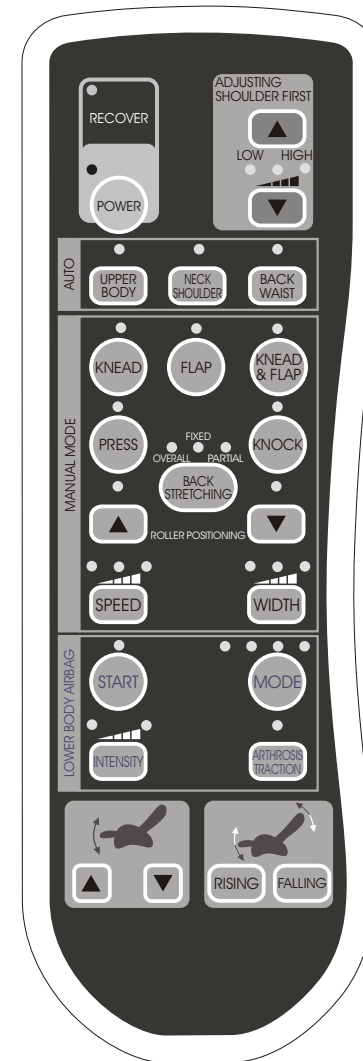
MODE: Press this button to choose unified air massage modes, four options.

INTENSITY: Press this button to choose different intensities of air massage.

ARTHROSIS TRACTION: Press this button to start joint traction.

Please refer to P9 for how to adjust the back and footrest.

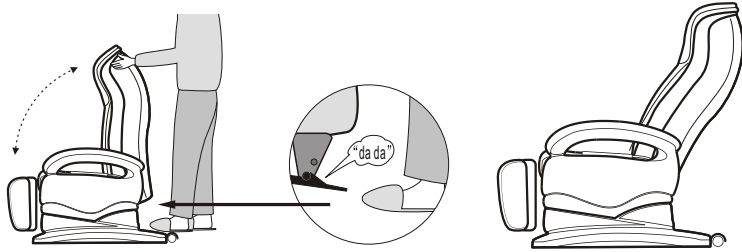
Method of usage



Method of usage

2. Open and pucker the backrest before operating.

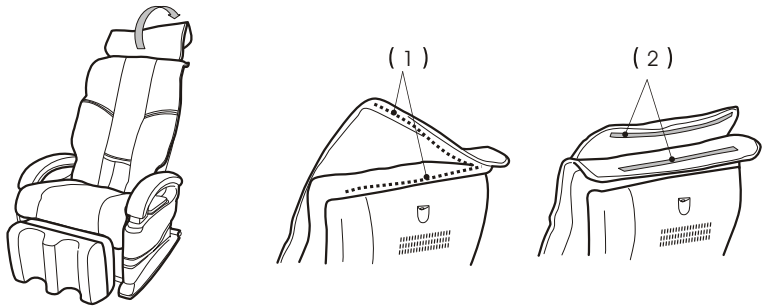
Pull the backrest up until it touches the backrest pucker lock and sounds "KATA", then the backrest is locked. The backrest can be pucker to its original state by treading the lockdown.



3. Method to remove and use the pillow and backrest cushion.

It can reduce the strength by using the pillow when massaging neck & shoulder, you can choose to use it (recommended) or not up to your demands. The backrest cushion and the backrest are connected by slide fastener, (1). The pillow and backrest cushion are connected by slide fastener, (2).

Warning: It is forbidden to use the product if the backrest cushion is lifted to avoid causing injury to you.



WARRANTY CARD

ART. NAME		DEALER(SERVICE CENTER)
MODEL		
CUSTOMER		
ADDRESS		
TEL		
DATE OF PURCHASE		EXPIRY : ONE YEAR FROM DATE OF PURCHASE

if malfunction happens within warranty period (one year) and under the following conditions, this product will be repaired for free:

1. there are broken parts or malfunction when purchasing this machine.
2. damage that occurs when it is being used under the guidance of the operation instructions (but the manufacturer is not responsible for damage resulting from misuse, operation without the guidance of the instructions, or natural disasters)
3. the damage of the nonconsumptive parts.

Product specification

Name: Massage chair

Input Voltage: AC 110-120V 60Hz
AC 220-240V 50Hz

The maximum power: 180W

Safety structure: Type I